

ATC® Blade Fuses



ATC® Blade - Type Fuse

Fast-Acting

Specifications

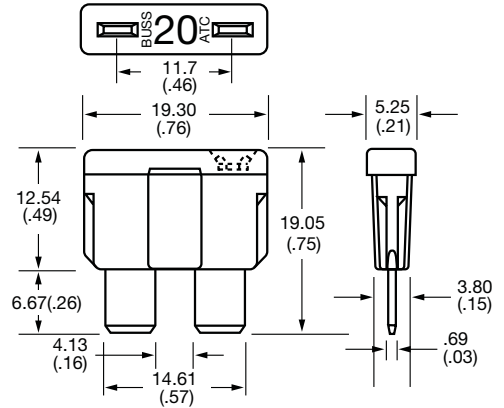
Current Rating: 1-40A
Voltage Rating: 32Vdc
Interrupt Rating: 1000A @ 32Vdc
Housing Material: UL-Rated 94V0 thermoplastic
Terminal Material: Tin-plated zinc alloy
Marking: Amperage marking is OCR compliant.
Compliances: UL-Recognized (3-40A); SAE J1284; ISO 8820-3; SAE J1171 (Ignition Protection)

Consult factory for higher voltage fuses.

Color Coding and Amp Ratings

Part No.	Amp Rating	Color
BK-ATC-1	1	Black
BK-ATC-2	2	Gray
BK-ATC-3	3	Violet
BK-ATC-4	4	Pink
BK-ATC-5	5	Tan
BK-ATC-7.5	7.5	Brown
BK-ATC-10	10	Red
BK-ATC-15	15	Lt. Blue
BK-ATC-20	20	Yellow
BK-ATC-25	25	Clear
BK-ATC-30	30	Green
BK-ATC-40	40	Amber

Dimensions - mm(in) (Dims. Shown are for reference only. Contact factory for latest prints)



Mini Fuse Puller - Part Number 32002



See page 67 for more information.

Time Current Curves

