

# Series 37700 PRM/PFM

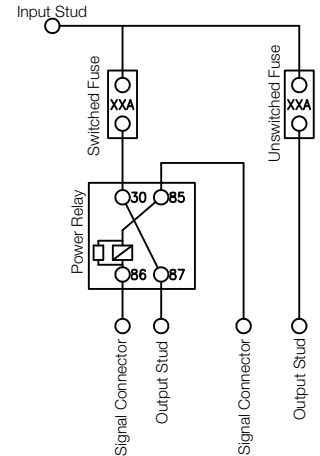
Fuse Holders



## Power Fuse Module & Power Relay Module

Cooper Bussmann offers a sealed Power Relay Module (PRM) along with an accompanying Power Fuse Module (PFM). These compact power distribution modules are designed for high current applications, and are suitable for placement in extreme moisture and high vibration environments. The PRM contains a 70A relay and two female fuse positions. One of these fuses protects the relay and the other is a single-circuit inline fuse. The PFM contains only two fuses - each a separate circuit. A silicone seal and removable cover offer a weather-tight enclosure for the fuse positions. PRMs/PFMs also feature rugged M8 power input studs. Multiple units may be connected together via a custom buss bar, or can be bussed to any of the Cooper Bussmann PDMs (i.e., 31000/32000 Series VEC/DVEC, 15300 Series RTMR, etc.)

### PRM Wiring



### Specifications

**PRM Rating:** 70A, 12Vdc steady-state relay; 24Vdc relay also available. Relay protection fuse: up to 60A; Nonswitched  
 Inline fuse: up to 60A.

**PFM Rating:** Each inline fuse rated up to 60A. **Temperature Rating:** -40°F (-40°C) to 185°F (85°C).

**Materials:** UL-Rated 94V0 thermoplastic (excluding cover); silicone seal; tin-plated copper terminals; plated steel studs.

**Input Termination:** M8 threaded stud. PRM  
 Switching/trigger signal: Delphi Packard Metri-Pack® 150 Series; AMPSEAL® 16.\*

**Output Termination Option:** Cooper Bussmann Series 32004 sealed connector (see page 34); Accepts Delphi Packard 800 series terminals.\* Two M6 threaded studs.

**Torque Rating:** Input stud: 144 in-lbs (16.3N•m) max.;  
 Output stud: 48 in-lbs (5.4N•m) max.

**Mounting Torque Rating:** 48 in-lbs (5.4N•m) max.

**Ingress Protection Rating:** IP66 (excluding stud connections)

**Compliances:** SAE 31171 (ignition protected)

### Options

**Mounting:** Counter rotation feature (CRF) available to prevent rotation on single bolt installations.

**Bussing:** Custom bussing available for joining multiple PRMs/PFMs. options also available for bussing PRMs/PFMs to other Cooper Bussmann power distribution modules.

**Accessories:** Buss bar, stud caps, separators, service components. Consult factory for details.

**Signal Connectors:** Delphi- PN# 12052641 (Black) & 12052644 (Grey)  
 AMP- PN# 776427-1 (Red), 776427-2 (Grey),  
 776427-3 (Yellow) & 776427-4 (Green).

\*Electrical terminals are NOT supplied by Cooper Bussmann.

### Part Numbering System

Series/ Module Type	Output/Signal Connector Type	Signal Key (PRM only)	Output Key	Nonswitched Value	Switched Fuse (Right Side)	Cover Option	Hardware Option	Private Label
37701	1	N						
PFM								
37702								
12V PRM								
37703								
24V PRM	*1 - Stud/Delphi 2 - Connector/Delphi 3 - Stud/AMP® 4 - Connector/AMP®	A - Black (Delphi only) B - Grey (AMP® or Delphi) C - Green (AMP® only) F - Red (AMP® only) Y - Yellow (AMP® only)	N - Stud Output (no key) A - Black B - Grey	0 - None 2 - 20 amps 3 - 30 amps 4 - 40 amps 5 - 50 amps 6 - 60 amps	0 - None 2 - 20 amps 3 - 30 amps 4 - 40 amps 5 - 50 amps 6 - 60 amps	0 - No cover 1 - Cover (bulk) 2 - Cover (installed)	0 - None 1 - Nuts (bulk) 2 - Nuts (installed) 3 - CRF 4 - CRF, nuts (bulk) 5 - CRF, nuts (installed)	X - Consult Factory

## Dimensions - mm(in) (Dims, shown are for reference only. Consult factory for latest prints)

